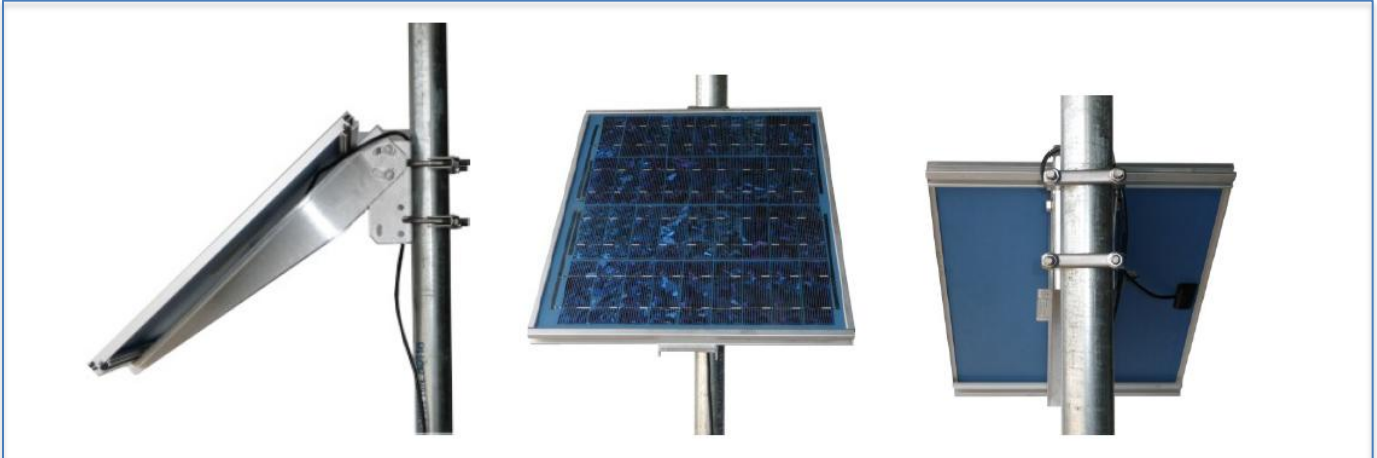




Remote Solar Power Assemblies Pole Mount Units

Renewable Energy ■ Solar Generators ■ Chargers ■ Portable Plug-&-Play ■ Emergency Power Systems ■ Power to Go Anywhere ■ Do Anything ■ Zero Carbon Emissions ■ Free Energy for Life

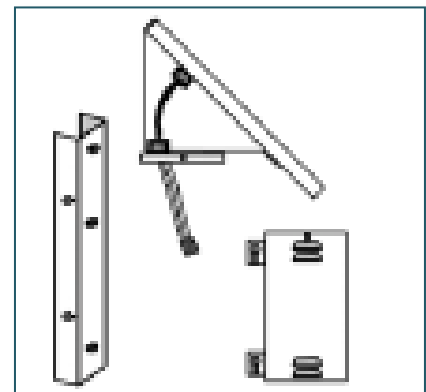


MP-50W Remote Solar Power Assembly

- 50-Watt Solar Panel
- 8.5-Amp Charge Controller
- 12-Volt AGM Battery
- 104 Amp Hour battery is contained within vented aluminum enclosure and includes a wiring harness and control electronics.
- Numerous controller configurations to select from depending on application.
- Systems built for ease of installation with quick-connect terminals and may be mounted to wall, roof or pole.
- All systems available to produce DC or AC power.
- Meets AASHTO 150 mph wind force ratings.
- 5-Year maintenance free and system warranty

Panel Assembly

- A 50-Watt single array consists of one 50-watt module integrally mounted and power-riveted to a vented aluminum battery enclosure and terminated in pre-wired 3-prong Molex type connector.
- Solar array produces up to 3.3 amps charge current
- Solar array has a life cycle testing and actual field proven life of over 30-years.
- The array has a 10-year warranty for 10% power loss and 25 year warranty for 20% power loss.



Custom Configurations: We carry an unlimited array of components or can design custom configurations to meet your specific requirements.



Remote Solar Power Assemblies Pole Mount Units

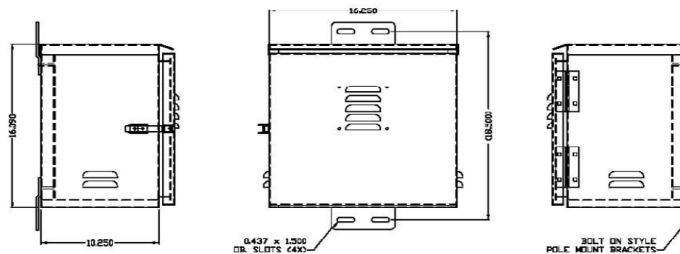
Renewable Energy ■ Solar Generators ■ Chargers ■ Portable Plug-&-Play ■ Emergency Power Systems ■ Power to Go Anywhere ■ Do Anything ■ Zero Carbon Emissions ■ Free Energy for Life

Charge Controller

- Sunforce Pro Series
- 8.5Amp Solar Charge Controller
- Nominal Voltage 12V
- Boost Voltage: 14.5V (12V / 25C)
- Float Voltage 13.7V (12V / 25C)
- Max Solar Panel Current RMO4.-2.1: 4A
- CM10-2.1: 10A
- Deep discharge connection
- PWM (Pulse Width Modulation) extends battery life
- Handles up to 127.5 W of Solar Power

Battery Assembly

- A vented aluminum box containing a 104 amp hour sealed Gel battery which is integrally mounted and pre-wired to include a standard wire harness with simple plug-in connections for the computer / control unit and solar panel assembly.
- The low profile design contains a preformed and welded back mounting plate for easy slide-on attachment to the power bracket.
- Battery assembly contains rear wire routing output for no exposed wiring to provide a neat clean appearance for the finished installation.
- Battery assembly is complete with all stainless steel mounting hardware. All metal crafting has been performed by high-speed robotic presses using computer programmed instructions.



Power Bracket

- Aluminum power bracket consists of a sturdy aluminum channel for mounting to any pole or wall and providing a low profile, only 20" on the pole, to provide maximum strength for wind loading in excess of 150mph.
- Power bracket contains pre-drilled and tapped battery slide mount bolts of stainless steel and two 11/16" mounting holes for utility standard 5/8" mounting bolts. The bracket contains the unique through the pole battery wire hole to alleviate exposed system wiring.



Renewable Energy Products are eligible for 30%

[Federal Tax Credit and State and Local Incentives](#)

<http://www.millenniumplanet.com>

