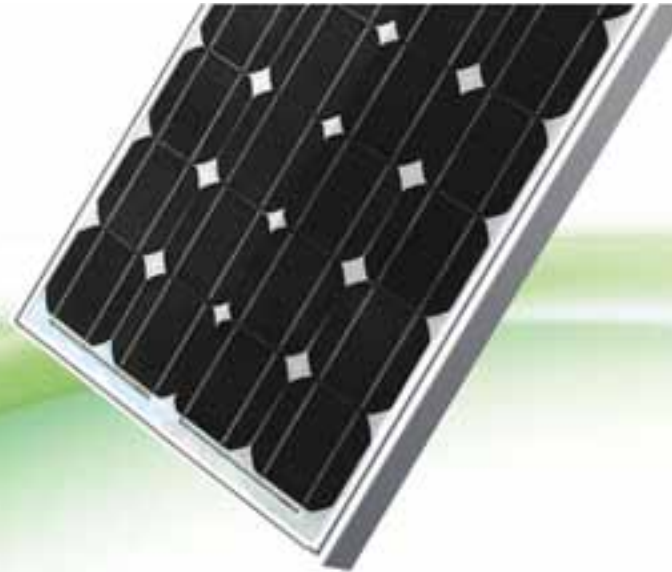




Datasheet

Crystalline PV Module

CHSM 5409M



85

90

95

ELECTRICAL SPECIFICATIONS

| | | | |
|--|--|---------|---------|
| STC rated output (P_{mpp}) | 85 Wp | 90 Wp | 95 Wp |
| PTC rated output | 75.2 Wp | 79.8 Wp | 84.3 Wp |
| Standard sorted output | $(P_{mpp} + 2.5 \text{ Wp}) > P_{flash} \geq (P_{mpp} - 2.5 \text{ Wp})$ | | |
| Measurement Tolerance | +/- 3% | +/- 3% | +/- 3% |
| Warranted power output STC ($P_{mpp \text{ min}}$) | 82.5 Wp | 87.5 Wp | 92.5 Wp |
| Rated voltage (V_{mpp}) at STC | 17.10 V | 17.80 V | 18.50 V |
| Rated current (I_{mpp}) at STC | 4.97 A | 5.03 A | 5.12 A |
| Open circuit voltage (V_{oc}) at STC | 22.00 V | 22.30 V | 22.50 V |
| Short circuit current (I_{sc}) at STC | 5.36 A | 5.43 A | 5.47 A |
| Module Efficiency | 12.8% | 13.5% | 14.3% |
| Rated output (P_{mpp}) at NOCT | 56.5 Wp | 59.5 Wp | 63.2 Wp |
| Rated voltage (V_{mpp}) at NOCT | 15.26 V | 15.96 V | 16.55 V |
| Rated current (I_{mpp}) at NOCT | 3.70 A | 3.75 A | 3.82 A |
| Open circuit voltage (V_{oc}) at NOCT | 19.73 V | 20.00 V | 20.18 V |
| Short circuit current (I_{sc}) at NOCT | 4.07 A | 4.12 A | 4.15 A |

| | |
|--|-------------|
| Temperature coefficient α (P_{mpp}) | - 0.480%/K |
| Temperature coefficient β (I_{sc}) | + 0.062%/K |
| Temperature coefficient δ (I_{mpp}) | - 0.022%/K |
| Temperature coefficient ϵ (V_{mpp}) | - 0.462 %/K |
| Temperature coefficient \times (V_{oc}) | - 0.355%/K |
| Normal Operating Cell Temperature (NOCT) | 48 °C |

| | |
|-----------------------------|----------------------|
| Maximum system voltage SCII | 1000 V _{DC} |
| Maximum system voltage NEC | 600 V _{DC} |
| Number of Diodes | 1 |
| Max. series fuse rating | 10 A |


ASTRONERGY

A CHNT COMPANY

QUALIFICATION AND WARRANTIES

| | |
|--|----------|
| Product standard | UL 1703 |
| Extended product warranty | 5 years |
| Output warranty of 90% performance P_{mpp} (STC) | 10 years |
| Output warranty of 80% performance P_{mpp} (STC) | 25 years |

CELL TECHNOLOGY

| | |
|------------------------------------|-----------------|
| Cell type | monocrystalline |
| Number of cells / cell arrangement | 36 / 4 x 9 |
| Cells Dimension | 5" |

MECHANICAL SPECIFICATIONS

| | |
|------------------------------|---|
| Outer dimensions (L x W x H) | 1200 x 554 x 35 mm 47.24 x 21.81 x 1.38 inch |
| Frame technology | Aluminum, silver anodized |
| Module compound | Glass / EVA / Backsheet (white) |
| Weight (module only) | 10 kg / 22.0 lbs |
| Front glass thickness | 3.2 mm / 0.13 inch |
| Junction Box IP rating | IP 65 |
| Cable length / diameter | 1000 mm / 39.37 inch / 12 AWG |
| Maximum load capacity | 2400 Pa |
| Fire Class | C |
| Connector type | Multi Contact Type 4 |

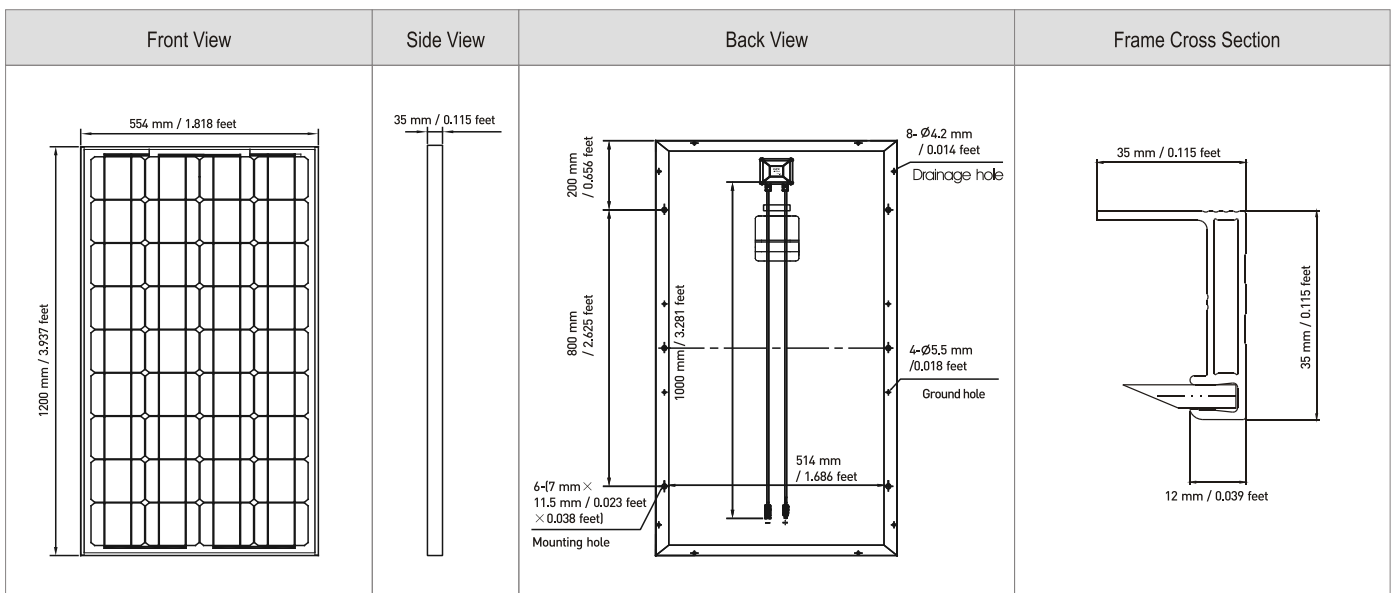
MISCELLANEOUS

| | |
|------------------------|------------------|
| Packing unit | 22 modules |
| Weight of packing unit | 260 kg / 572 lbs |

ARTICLE NUMBER (per panel)

| Power Class | Article No.(UL) |
|-------------|-----------------|
| 85 Wp | 100010 |
| 90 Wp | 100011 |
| 95 Wp | 100012 |

MODULE DIMENSION DETAILS



© Chint Solar (Zhejiang) Co., Ltd. All rights reserved.
Specifications and designs included in this datasheet are subject to change without notice.